

FENDT



Fendt
e100 Vario

Leaders drive Fendt.

Contents

06	Spotlights
10	Charging management
12	Drive
16	Hydraulics
18	Additional equipment
22	Cab
26	FendtONE
28	Service
30	Technical Specifications



Fendt is a worldwide brand of AGCO.
All details regarding scope of delivery, appearance, performance, dimensions and weights, fuel consumption and running costs of vehicles reflect the latest information available at the time of print. These may change by the time of purchase. Your Fendt dealer will be happy to inform you about any changes. The vehicles shown do not feature country-specific equipment.

Think
e Possible

55 kW
Continuous power

347 Nm
Torque

~5 h
Operating time

100 kWh
Battery capacity



Work efficiently
and enjoy your breaks



A day with the Fendt e100 Vario

7:30 a.m.: Unplug from the AC socket

Morning: Perform agricultural or municipal activities

12:00 p.m. - 1:00 p.m. **Lunch break:** Connect to the DC socket (fast charging) - from 20% to 80% in 45 minutes

Afternoon: Return to performing agricultural or communal activities

4:00 p.m. **Coffee break:** Short break with the family, connect Fendt e100 Vario to DC socket or

Until 5 p.m.: Perform municipal work, then drive to the AC socket for longer, gentle charging

Areas of application



Local Authority



Farm tractor with front loader



Speciality crops



Viticulture



Industry



Special features of Fendt e-tractors

1

The first tractor to run on vitamin D.

Invest once in the Fendt e100 Vario and reap the benefits – low energy costs, low maintenance costs, cheaper vehicle tax are just a few of the long-term advantages. Discover the numerous features that make the Fendt e100 Vario a pioneer.

2

Electric motor Power

The drive system of the Fendt e100 Vario is based on a powerful electric motor. In Dynamic+ mode, this delivers up to 90 hp and is powered by a 100 kWh battery. Thanks to the high efficiency of the electric motor, you can utilise the full potential of the battery.

3

High-performance hydraulics

The powerful hydraulic concept with regulating pump utilises the power perfectly. Reactive power is avoided thanks to two hydraulic circuits, LS variable displacement pump and Power Beyond. In addition to perfect efficiency, it is also possible to use bio-hydraulic oil and the oil has long service life increasing oil change intervals.

4

Save more time and resources.

FendtONE takes a lot of the work off your hands so that you can concentrate on the essentials. Whether guidance, telemetry, machine control or agronomy - Fendt's digital products take the strain off you and make your work even more efficient. The Fendt e100 Vario makes optimum use of the battery capacity and you benefit from even more comfort.

5

Efficiency even when at a stand still

When the tractor comes to a standstill, the start-stop mode switches off the motor to save energy and reduce the noise level. In contrast to a combustion engine, however, the air conditioning or heating can continue to run even though the motor is switched off.

6

Perfect tyres for maximum efficiency

The Trelleborg TM1 Eco Power standard tyres, specially developed for the Fendt e100 Vario, have an extremely low rolling resistance. This way, the energy used is transferred to the ground in the most efficient way. Due to the recycled content, the tyre is also sustainable in production.



In tune with the future

For a sustainable future

The new Fendt E-tractors stand for sustainability and environmental protection. With electric drive, these are the first tractors in series production to operate emission-free. This avoids CO₂ emissions and thus contributes to climate protection. If you rely on renewable energies, Fendt E-tractors offer the option of using your self-produced energy for recharging, making them even more sustainable. With the first electric tractors, you are making an important contribution to environmental protection and helping to make the air in the countryside even cleaner.

For maximum performance

Fendt E-tractors are not only environmentally friendly and health-conscious, but also powerful compact tractors. Innovative technology guarantees the highest quality and reliability. Dynamic+ mode enables optimum performance even under difficult conditions. The start-stop function saves energy and avoids unnecessary hours of idling. The powerful hydraulics offer precise control and fast workflows. Fendt E-tractors are therefore the perfect partners for efficient and powerful work.

For long-term savings

With low maintenance costs and low energy costs, Fendt E-tractors save money in the long term. All implements can still be used. E-tractors are therefore an investment in the future and a guarantee of profitability.

For more occupational safety

New Fendt E-tractors not only take you safely into the future, but also get you safely through the working day. Thanks to the electric drive, there is no risk of burns and thus a higher level of safety. The elimination of the exhaust pipe provides even better all-round visibility, which in turn reduces the risk of accidents. So you can work safely and worry-free.



For a healthier working environment

With low noise levels and no exhaust fumes, Fendt E-tractors are ideal for use in cities and low emission zones with poor air quality. They are also ideal for green space maintenance, winter service or material and machine transport. But that's not all: Fendt E-tractors are also ideal for use in agriculture, viticulture, fruit cultivation and other special crops. If it is important to you to protect your employees from noise and exhaust fumes, then Fendt E-tractors are the perfect choice.

For the highest comfort

In addition to environmental friendliness and performance, comfort is not neglected either. The new heating concept with auxiliary, seat and wind-screen heating ensures pleasant temperatures in winter. The automatic climate control guarantees perfect temperature control in summer. Fendt E-tractors are low-vibration and quiet, which enables comfortable working. With the proven FendtONE operating concept, operation is simple and intuitive. They are therefore the ideal tractors for a pleasant and relaxed working environment.

Rethinking energy

The E-tractor rethinks the concept of energy. The battery charge status can be viewed at any time and the tractor can be charged quickly and efficiently. This advanced load management system ensures that the tractor is always ready for use and at the same time protects the environment. This takes sustainable agriculture to a new level.

22 kW
Charging power

AC charging

Charging via alternating current with up to 22 kW charging power. The type 2 socket complies with the automotive standard so that existing or public charging infrastructure can be used.

80 kW
Charging power

DC fast charging

Quick charging via direct current with up to 80 kW charging power. The Fendt e100 Vario can be charged from 20% to 80% in 45 minutes. The CCS socket complies with the automotive standard so that existing or public charging infrastructure can be used.



Charging infrastructure

From now on, charging will be done instead of refuelling! Use the cost-effective energy. AGCO Parts offers you a range of options to make loading as easy as possible. You can choose between a mobile 22 kW fast charging cable set with a wall bracket or a wall box. All in the Fendt design, of course. On request and with individual consultation, you also have the option of purchasing a fast-charging station (Hypercharger).



Auxiliary consumers

Various auxiliary consumers of the vehicle are supplied directly from the battery. This energy is supplied by the Power Distribution Unit (PDU), which efficiently transfers the energy to the air conditioning compressor, the DC/DC converter (as a replacement for the alternator) and the water heater. This solution offers a high level of efficiency, as no reactive power is generated and only the energy actually required by the auxiliary consumers is used up. Conventional belts for power transmission are no longer required.

Benefits

- High efficiency, because of no reactive power
- Only the actual energy from the auxiliary consumers is required.**

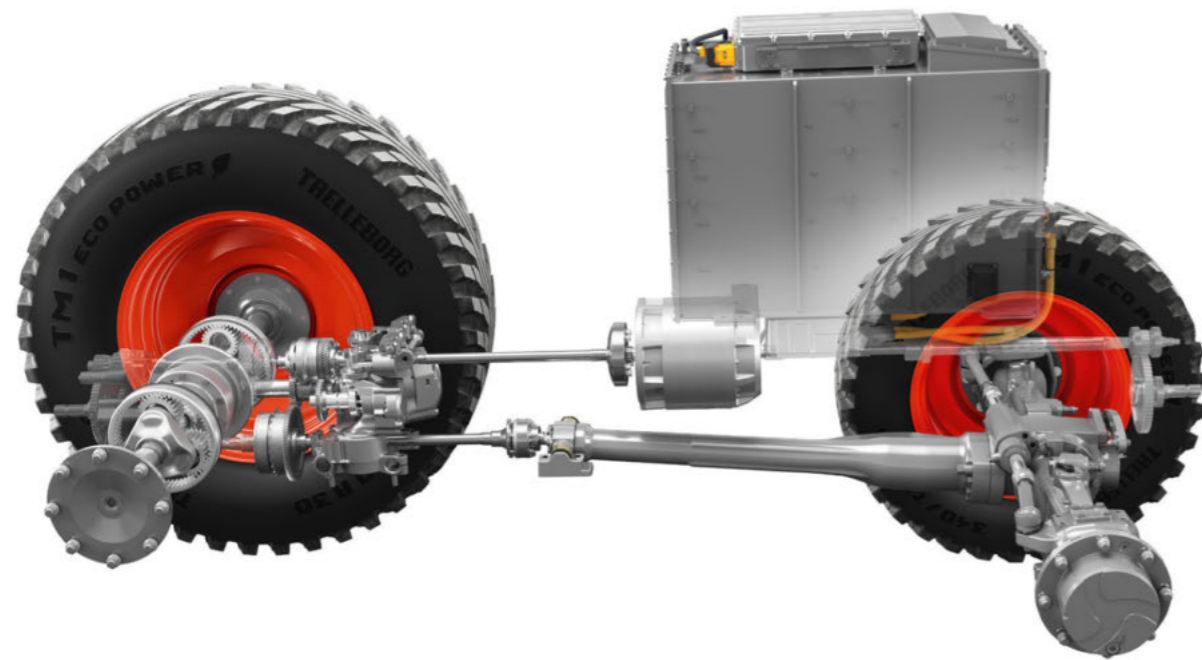
Efficiently and powerfully: The electric motor with Vario transmission

Tyres

The Trelleborg TM1 Eco Power series tyres specially developed for the e100 V Vario and e100 Vario have an extremely low rolling resistance. This way, the energy used is transferred to the ground in the most efficient way. Due to the recycled content, the tyre is also sustainable in production.

Transmission

The proven Fendt Vario transmission stands for high efficiency and performance. It enables high tractive forces from 0.02 km/h to 40 km/h, a PTO speed independent of the travelling speed and constant traction.



Cooling concept

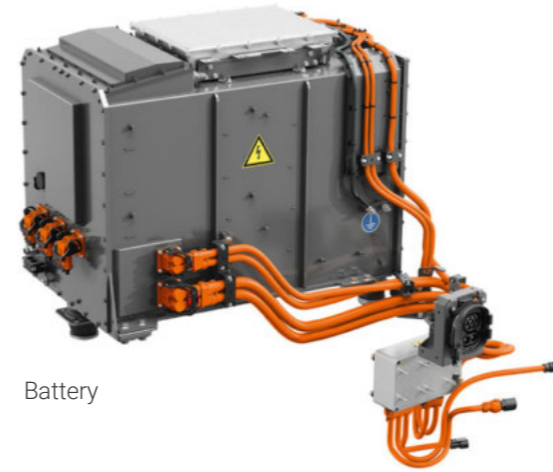
The Fendt e100 Vario has an efficient cooling system consisting of a transmission oil and water cooler. The air is drawn through the condenser to maximise cooling. Particularly noteworthy are the reversible fans, which significantly reduce maintenance costs. The efficient fan control, which allows each cooling circuit to regulate the fan speed individually, should also be highlighted. This saves energy.

Electric motor

Thanks to its high efficiency, the electric motor drives the Fendt Vario transmission extremely efficiently. The electric motor and Vario gearbox are perfectly synchronised via the familiar TMS. The PTO shafts are also driven directly by the electric motor, so no energy is lost.

Battery

The battery capacity of 100 kWh corresponds to a working time of about 4 to 7 hours for applications in the partial load range such as defoliating, deleafing or sweeping. Thanks to intelligent thermal management, the battery is operated at an optimum temperature all year round.



Battery

Regeneration

Get the energy back from the movement. The Fendt e100 Vario's battery charges while driving thanks to energy recovery when decelerating or travelling downhill. If you press the recovery switch, the tractor can be decelerated more and recuperation is increased. This allows you to get even more out of the electric tractor and extends the operating time by utilising energy that would otherwise be lost.

Automatic Start-Stop

If you need to stop while driving, the engine is switched off by the start-stop mode. This saves energy that would otherwise be wasted, and the tractor briefly stops making noise.





ECO

up to 50 kW/68 hp >>
for maximum range when working
in the partial load range

Dynamic

up to 55 kW/75 hp >>
for maximum performance

Dynamic+

up to 66 kW/90 hp >>
for additional performance
over a limited period of time
(peak power for performance peaks)

Energy management, as you need it

A total of three operating modes ensure that you get the most out of your energy. Select between ECO, Dynamic and Dynamic+ via the terminal. This allows you to decide whether your focus is on maximum range, performance or additional power over a limited period of time.

Charging timers can be set in the charging management section of the terminal. This means that the Fendt e100 Vario is ready for use at the desired time and the battery is brought up to operating temperature. Charging limits can also be set. This protects the battery.*

*Function will be retrofitted via software update. Not available at the start of production.

High efficiency and low energy losses

Thanks to its high efficiency, the electric motor drives the Fendt Vario transmission extremely efficiently. The electric motor can even recover energy through energy recovery. The electric motor and transmission are perfectly harmonised via the familiar TMS. The front PTO is also driven directly by the electric motor so that no energy is lost.

Perfect combination: TMS and load limit control 2.0

TMS automatically regulates the motor and transmission in the most economical way. It offers two driving modes that can be controlled via the multi-function joystick or the accelerator pedal. The driver simply sets the target speed, while TMS regulates the transmission setting and motor speed so that the tractor operates with optimised energy consumption. When the motor comes under load, the load limit control takes over control of the motor speed and transmission setting. The motor speed is automatically increased when the corresponding power is required during operation. As soon as the operating conditions allow, the tractor runs at reduced motor speed.

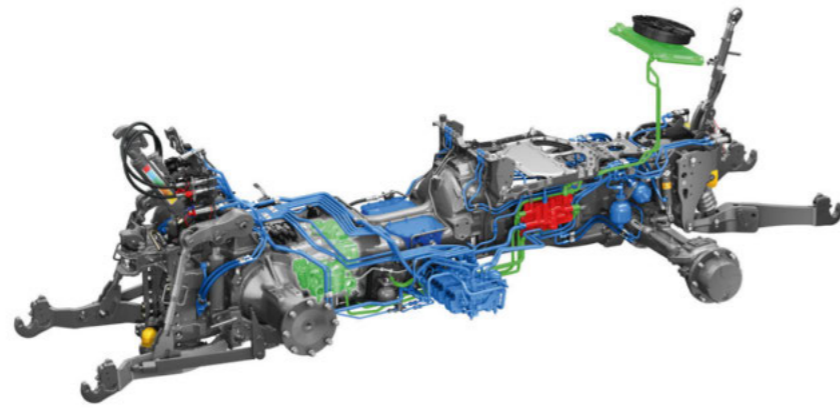
Benefits

- Relaxed way of driving
- Faster achievement of the set speed
- Better maintenance of the set speed
- More dynamic driving under load
- Higher average speed with optimum consumption



Powerful High-performance hydraulics

Longevity, performance and sustainability are the top priorities here. Thanks to the load-sensing variable displacement pump and Power Beyond, the Fendt e100 Vario has a very low reactive power. This increases your efficiency and performance. Thanks to a separate transmission and hydraulic oil reservoir, there is no mixing of oil and no ingress of dirt into the transmission. In terms of sustainability, the FFC couplings and the option of using biohydraulic oil score highly.



113 l/min
Flow rate

Rear power lift The rear power lift of the Fendt e100 Vario is characterised by a high lifting capacity of 4,204 NaN and offers an EHR with convenient operation. The automatic function of the PTO shaft and the external controls on both sides make handling much easier. Active vibration damping ensures a smooth ride when travelling on the road with implements. The lifting gear can be easily locked at any height using a lever, making it easier to attach and remove implements. This reduces pitching movements and increases steering safety while reducing the dynamic load. The design also prevents accidental operation in the cab, which further increases the safety and efficiency of the tractor.

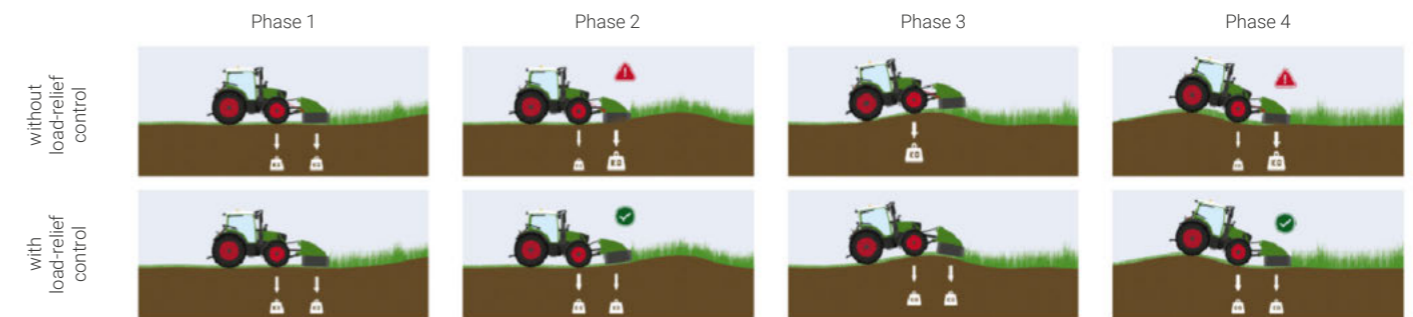


Front power lift – Variants

The front power lift of the Fendt e100 Vario is available in different versions. There is the single-acting standard front power lift (sa) and the double-acting comfort crane lift with position control (da), which has a changeover tap for sa/da operation and is controlled via the armrest and the 12-inch terminal. Another variant is the double-acting comfort power lift with position control and load-relieving control (da), also with changeover tap and control via armrest and 12-inch terminal. These options offer flexible and convenient handling.

The **standard power lift** of the e100 Vario is integrated compactly and offers the best manoeuvrability. The folded lower links are close to the vehicle and the side protection is integrated without protruding cables. With a lifting force of 2,540 NaN and a choice of three variants, it fulfils a variety of requirements. The top link is solidly attached and easy to handle.

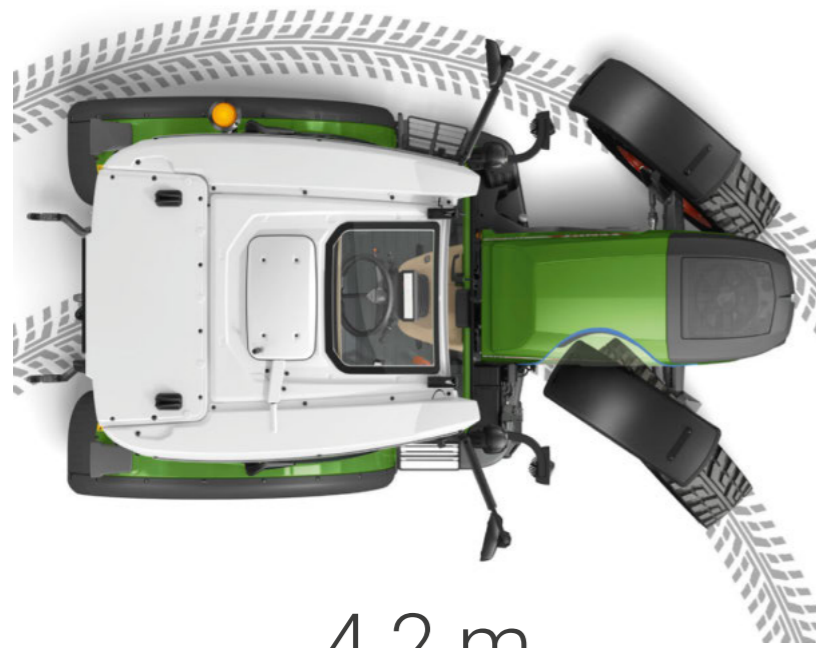
The **comfort power lift with the load-relief control** offers active and dynamic adjustment of the support and relief pressure between 3 and 100 bar, which is controlled via the dashboard or terminal. This control starts from a speed of 0.6 km/h.



Benefits Comfort power lift with load relief

- Attachment follows the ground contour precisely at a continuous height for work that's gentle on the implement and saves fuel
- No need to install or adjust relief springs
- Exceptionally easy to use with settings on the terminal
- Best traction and directional stability the weight transferred from the implement to the front axle increases traction and prevents drift on the hillside
- Grassland mower/mulcher: Protects the sward for the best feed quality – lower raw ash content. Does not pierce the sward
- Front furrow press: even compaction over entire working width
- Winter work with a snow plough: constant field pressure control for uniform clearing results
- Reduced equipment wear and soil protection

Innovative solutions for maximum traction and stability



4.2 m
Turning radius

Wasp waist for incredible manoeuvrability

The waist of the Fendt e100 Vario gives you an unbeatable steering angle - even with front loader consoles.

Benefits

- Perfect integration of the front loader, compact and robust design
- Waisted design for maximum manoeuvrability
- Wide steering angle even with front loader brackets

Assist systems

The assistance system on Fendt E-tractors includes a deceleration and brake light assistant, which increases safety and efficiency when driving. The brake light assistant activates the brake light indicator as soon as the vehicle decelerates, even without the brakes being applied. This enables faster early detection for following traffic.



All-wheel drive management

The intelligent all-wheel drive management offers the best traction and soil protection. It enables convenient shifting via push buttons on the control panel, including automatic 4WD and 100% permanent 4WD.

	Function	Benefit
	4WD always engaged	Full powertrain function
4WD	Auto 4WD 4WD engaged and disengaged - from 22° steering angle - from 20 km/h	- Takes the strain off the driver - Protects the soil - Full manoeuvrability - Less tyre wear

Differential locks

The intelligent differential lock management offers improved ground protection and optimum traction. It enables convenient operation via push buttons on the control panel, including automatic differential lock and 100% differential locks. The system ensures increased traction and very good tractive force transmission as well as increased safety on steep slopes thanks to the 100% lock.

	Function	Benefit
	100 % multi-disc differential lock	Full power transmission, even in extreme situations
Differential lock	Auto diff lock Diff lock engaged and disengaged - From 12° steering angle - For brake actuation - Disengaged over 20 km/h	- Takes the strain off the driver - Easier turning manoeuvres without tension - Increased traction



7%
more area coverage

Front-axle suspension with anti-roll support

The front axle suspension with roll support on Fendt E-tractors offers up to 7% more area coverage and a high level of comfort. With 80 mm suspension travel and permanent traction, it increases area performance. The anti-roll bar provides stability and reduces rolling movements. Thanks to levelling control, ride comfort remains constant regardless of the load.

Benefits

- High stability and work safety: reduced rolling movements and greater steering and braking safety
- Increased area performance: Up to 7% more power thanks to permanent traction and avoidance of 'power hopping'
- Comfort: Unrivalled working and driving comfort, 27% reduction in acceleration forces for quiet working



Rear PTO

An exclusive Fendt advantage is the rear PTO with external actuation and speed increase, which avoids unnecessary visits to the cab. The automatic PTO in conjunction with the rear power lift enables the operation of implements at constant speed and variable travel speed. The start-up control reduces wear and lowers machine costs.

Rear axle

The rear axle of the Fendt e100 Vario, the proven HA 75 model, has recirculating pressure lubrication and a permissible rear axle load of 5.3 tonnes. It is equipped with a 100% multi-disc differential lock with comfort engagement controls and has a reinforced brake system designed for a high permissible overall weight.

Brake assembly

The Fendt e100 Vario is equipped with a four-wheel braking system with brake pressure monitoring. The large-dimensioned wet ring-piston brake with brake booster is located in the rear axle. Engaging the 4WD ensures safe braking on all four wheels.

The parking brake consists of a dry drum brake directly on the cardan shaft and is designed for a permissible total weight of 7.5 tonnes. Two trailer brake systems are available: an air brake and a hydraulic trailer brake.

7.5 t
Permissible overall weight



Benefits

- Electro-hydraulic speed preselection
- External control from mudguard
- Automatic start-up control
- Bevelled PTO profile enables particularly easy attachment to the stub shaft

Spacious comfort cab

Get in, feel good and off you go!

A total of eight air vents ensure pleasant temperatures in the cab of the Fendt e100 Vario - right from the start of work. The overpressure function prevents dust particles from entering the interior. Operate the heating and air conditioning simply and conveniently via the terminal.

Favourite place even in winter

The Fendt e100 Vario declares war on the cold. Take a seat and enjoy the cosy warmth of the heated seats. The additional electric underfloor heating also makes your feet comfortable - making cold toes a thing of the past. You can quickly defrost the front and rear windscreen with the windscreen heaters. This gives you the best visibility even in frosty temperatures.

Comfortable driver and passenger seats

The Fendt e100 Vario offers an air-sprung comfort seat with mechanical lumbar support. The wide comfort seat has 100 mm suspension travel, semi-automatic weight adjustment and lockable longitudinal suspension. The seat heating also provides pleasant warmth. The front passenger seat is equipped with a large seat surface, comfortable upholstery and backrest.

Benefits

- Best all-round visibility for all applications
- High level of working comfort during front loader work – 100° view of extended front loader through the built-in roof window



Infotainment package

Whether it's the radio or your favourite song on a continuous loop - with the infotainment package you can decide what you want to listen to. With a DAB+ radio, Bluetooth, USB and AUX-IN, many options are available here. A total of two loudspeakers ensure perfect sound in the cab.

And if you don't want to listen to music but want to call someone, you can use the hands-free system.



Perfect view forward

The Fendt e100 Vario helps you to keep a clear view even in frosty weather, rain or when the front loader is raised. The panoramic roof window gives you a view of up to 100° to the front.

Lighting

The Fendt e100 Vario won't let you down when it gets dark. Numerous LED spotlights illuminate your surroundings perfectly. Another plus for safety is the daytime running light, which means you are noticed earlier in traffic. Activate the work lights individually via the terminal and bring light into the dark.



Unbeatable combination: Fendt e100 Vario and Cargo 3X65

The Fendt Cargo 3X/65 fits perfectly with the Fendt e100 Vario. With the panoramic window, you can keep an eye on everything even at a lifting height of 3.7 metres. Operate the front loader easily using the crossgate lever or the 3L-Joystick and accelerator pedal. Attaching and detaching is also easy thanks to the multi-coupler. Locking is automatic, as there is no need to climb out thanks to CARGO-Lock.

Benefits

- Simple operation via crossgate lever or 3L-Joystick and driving pedal
- Quick coupling/uncoupling
- Best view upwards with the standard panoramic window

Mechanical cab suspension

Cone bearings and mechanical spring/damper elements allow you to ride comfortably even on rough terrain. The result of this mechanical suspension: relaxed working even on long days, because even compact standard tractors deserve maximum comfort.

Benefits

- Maximum comfort on the road and field, even in compact standard tractors
- A more relaxed working environment on those long days



One thing is simple: FendtONE

■ Consistent operating philosophy

FendtONE's first holistic operating approach on the market enables seamless use without having to switch between different media.

■ Freely programmable control panel

The buttons can be freely assigned and customised via the Individual Operation Manager (IOM).

■ Terminal network

The first operating concept on the market with a terminal network and central computing unit enables real-time synchronisation of content on the dashboard and terminal.

■ Unique colour concept

The logical and dynamic colour concept with different function groups and functions provides an optimum overview.



onboard

FendtONE onboard – the driver's workplace in the cab

With FendtONE onboard, operating the machines is easier than ever before. Various technical functions combined with the high level of comfort of the cab make your day-to-day work in the field easier – for example with different guidance types or the machine control options. Get an overview of the FendtONE driver's workplace spotlights now.

Machine control

The FendtONE machine control system optimally integrates the tractor and implement, which facilitates precise control of part-width sections and pinpoint cultivation of partial areas. This maximises operator comfort, saves operating inputs and reduces the driver's workload thanks to an intuitive operating system.



Guidance system

Track guidance with FendtONE ensures precise machine operation and sustainable soil protection by automatically keeping the machine on the desired track. This reduces the driver's workload, lowers operating costs and saves time, especially on long working days.



When technology and comfort become one.

offboard

FendtONE offboard – digital recording, analysis and management of data

Your business generates valuable data for the documentation and optimisation of machines, personnel and operating resources. The seamless recording and visualisation of data is essential for this. FendtONE offboard* simplifies planning and documentation by wirelessly transferring standardised data to the portal. A simple and intuitive introduction to digital documentation and machine operation.

*Please note that FendtONE offboard is not currently available in all countries.

Agronomy

FendtONE enables seamless agronomy through the automatic documentation of field data collected during field work. This data is transferred to a farm management system, which ensures complete documentation and future-proofing while saving time in the office.



Telemetry

Telemetry with FendtONE enables real-time monitoring and analysis of machine data, ensuring optimal fleet management and breakdown prevention. This data not only helps you, but also your service partner with diagnostics and maintenance, allowing better logistics and service decisions to be made.



When farm planning and management become one.



So that your farm keeps running!

You must be able to rely on your agricultural machinery. However, something unforeseen can always happen. To keep your farm running, your Fendt Service Partner is available for you, especially during the harvesting season. This means you don't lose any valuable time in the field or during transport.

+44 330 123 9909



Fendt Care service packages – The best for your agricultural machinery

Benefit from the optimum operational readiness of your Fendt agricultural machine with full cost control even beyond the statutory warranty period. Fendt Care membership offers you customised contracts for maintenance and repair cover. You choose exactly the service package and term that suits you. If you wish, you can secure all repair risks and shorten repair times by allowing your dealer remote access to the machine data via Fendt Connect. Fendt offers you the longest coverage in the tractor market and the most comprehensive agricultural machinery insurance in the industry. The advantages of Fendt Care are obvious: your risk is minimised, the costs are calculable and you have full planning security.

Find your perfect Fendt Care tariff!



AGCO Finance – Your partner for the growth of your business

When deciding whether to rent, finance or lease, we provide you with complete support based on decades of experience. And Fendt Service is also there for you in your day-to-day work: to keep costs calculable, we offer you customised maintenance and service offers that go far beyond the statutory warranty.



Spare parts – Genuine original parts, without compromise

To ensure that your Fendt remains 100% a Fendt, your Fendt Sales partner only installs genuine parts. These have a proven standard of quality and are safety-tested.

This pays off in many ways:

- 12-month warranty on Fendt original parts and their installation
- Operational reliability at the highest level – Top value retention
- Quickly on the spot in an emergency.

During the harvesting season, your Fendt Sales partner is available seven days a week and around the clock. In the event of a machine breakdown, the technician will be at your site within a short time and will repair your machine as quickly as possible.

Please note that the availability of Fendt Service Packages varies from country to country.

Demonstration service – Test it yourself

Would you like to see for yourself how our agricultural machinery performs in the field? This is possible with the Demo service. After a short briefing from your dealer, you can test how the new tractor or harvester performs in everyday use on your own farm. After all, you know best what the new machine needs to be able to do.

Arrange a demonstration immediately!



Technical specifications and equipment bundles

		e107 Vario
Electric drive		
Rated power in accordance with ECE R85	kW/hp	50/68
Continuous power in accordance with ECE R85	kW/hp	55/75
Peak power in accordance with ECE R85	kW/hp	66/90
Rated speed	rpm	2100
Max. torque at 1400 rpm	Nm	347
Battery capacity	kWh	100
AC charging plug		Typ2
DC charging plug		CCS
Max. AC charging capacity	kW	22
Max. DC charging capacity (fast charging)	kW	80
Transmission and PTO		
Transmission type		ML75
Speed range forward	km/h	0.02-40
Speed range reverse	km/h	0.02-25
Rear PTO		540/540E/1000
Rear PTO option (including ground speed PTO)		540/1000/Weg-ZW
Front PTO option		1000
Power lift and hydraulics		
Variable flow pump	l/min	42+71
Max. valves (front/centre/rear)	number	0/0/4
Max. valves available as an option (front/centre/rear)	number	1/0/3
Max. available hydraulic oil volume	litres	28
Max. lift capacity of rear power lift	daN	4204
Max. lift capacity of front power lift	daN	2384
Tyres		
Front tyres (standard)		320/70R24
Standard tyres rear		480/70R30
1st option for front tyres		300/80R24
1st option for rear tyres		440/80R30
2nd option for front tyres		320/70R24
2nd option for rear tyres		540/65R30
3rd option for front tyres		270/80R32
3rd option for rear tyres		270/95R44
Dimensions		
Front track width (standard tyres)	mm	1690
Rear track width (standard tyres)	mm	1660
Overall width with standard tyres	mm	2163
Overall length	mm	4119
Total height of driver's cab with standard tyres without Fendt Guide	mm	2640
Total height of driver's cab with standard tyres with Fendt Guide	mm	2660
Max. ground clearance	mm	475
Wheelbase	mm	2370
Weights		
Operating weight (incl. common accessories - +/- 5%)	kg	4500
Max. permissible overall weight	kg	7500.0

	Profi	Profi+
Electric drive		
Start/Stop function	■	■
Thermal management	■	■
Reversible fan	■	■
AC charging via Type2 socket	■	■
DC Fast-charging via CCS socket	■	■
Transmission		
Vario TMS – Tractor Management System	■	■
Shuttle function, stop-and-go function	■	■
Cruise control	■	■
Acoustic signal when reversing	□	□
Guidance system		
Guidance system basic package		■
Standard Trimble / NovAtel		□
RTK Trimble / NovAtel		□
TI Headland (TI Auto & TI Turn Assistant)		□
Contour Assistant		□
Guidance system		
Agronomy basic package		□
Telemetry		
Telemetry basic package	■	■
Smart Connect		
Machine control		
Machine control basic package	□	□
Section Control		□
Variable Rate Control		□
Fendt Implement Management (TIM)		□
Fendt Implement Management (TIM-Steering)		□
Vario operation		
Multi-function joystick with cruise control, engine speed memory, automatic modes, controls for hydraulics	■	■
3L joystick	□	□
Individual Operation Manager – flexible key assignment	■	■
Digital Dashboard	■	■
12" terminal with touchscreen and key control	□	■
Fendt Active steering		■
Electronic immobiliser	■	■
Cab		
Comfort cab	■	■
Mechanical cab suspension	■	■
Comfort seat, air-suspended incl. heated seat	■	■
Instructor seat	■	■
Height and tilt-adjustable steering column	■	■
Integrated automatic climate control	■	■
Hinged front/rear windows	■	■
Front windscreen laminated safety glass, heated	□	□
Rear window heated	□	□
Rear window wash/wipe	□	□
Ext. rearview mirror, mechanically adjustable	■	■
Auxiliary device holder	□	□
Fendt Reaction steering system	■	■
Self-cancelling indicators	■	■
Brake level device	□	□
Roof window with roller shade	■	■
Low beam and high beam LED	■	■
Lighting		

	Profi	Profi+
Auxiliary lights front		
Auxiliary lights front	□	□
A-pillar LED work lights	□	□
Roof rear LED work lights	■	■
Roof front LED work lights	□	□
LED rear lights	■	■
LED rotating beacons	□	□
4WD / differential locks		
Front axle suspension self-levelling, anti-roll control, lockable	■	■
Compressed air system 2-circuit system	□	□
4WD / differential locks		
Automatic all-wheel drive and differential locking with steering angle sensors	■	■
Power lift		
Sa front power lift, with external control (separate valve)	□	□
Comfort front power lift da, with position control, external controls	□	□
Comfort front power lift da, with position control and relief control, external controls	□	□
Electrohydraulic power lift sa (EHR), with external controls	■	■
Shock load stabilising, electro-hydraulic power lift control	■	■
PTO		
Front: 1000 rpm	□	□
Rear PTO 540/WZW/1000 rpm	□	□
Rear PTO 540/540E/1000 rpm	■	■
Rear: Flanged PTO 540/540E/1000 rpm	□	□
External controls for rear PTO	■	■
Hydraulics		
EHS valve actuation crossgate lever, multi-function joystick	■	■
EHS valve actuation linear module	■	■
Load sensing system with axial piston pump (33+71 l/min)	■	■
1st and 2nd EHS valve at rear	■	■
3rd EHS valve at rear	□	□
4th EHS valve at rear or 3rd EHS valve at rear and 1st EHS valve in front	□	□
Hydraulic power beyond connection	□	□
Hydraulic connection Power-Beyond FFC	□	□
Return rear	■	■
Unpressurised rear return flow	□	□
Flat-face hydraulic couplings (FFC)	□	□
CUP coupling rear	□	□
Bio hydraulic oil	□	□
Additional equipment		
Manual hitch	■	■
Automatic trailer hitch with remote control, rear	□	□
Ball coupling, height adjustable	□	□
Hitch	□	□
Drawbar	□	□
Piton-fix	□	□
Front weights, various sizes	□	□
Pivoting front wheel mudguard	□	□
Additional equipment		
Front loader attachment parts	□	□
Front loader Cargo 3X/65	□	□

Version 05/03/2025

FENDT



Leaders drive Fendt.



 **AGCO**
Your Agriculture Company

www.fendt.com

AGCO GmbH – Fendt Marketing
87616 Marktobendorf, Germany

EN/2501